

EPSON[®]
EXCEED YOUR VISION

Epson
AcuLaser **C2800** Series



Epson AcuLaser **C2800** Series

The perfect all-round business laser

Combine speed and ease of use with superb colour and mono results. The Epson AcuLaser C2800 Series brings value, reliability and high quality output to workgroup colour printing.

This is the perfect general purpose A4 colour laser for small workgroups. Work quickly with a very fast first page out time and keep expenses down with a very low cost per page. Integrate easily with network interface, PCL and genuine Adobe[®] PS3 languages as standard.

This printer is easy to use, extremely reliable and simple to maintain. It's also very quiet when printing. And it's upgradable too, so you can add options such as a duplex unit as your business grows.

Meets all your A4 business printing needs – superb results for the whole office on media from recycled paper to envelopes

A high speed printing partner – print up to 25 ppm mono and 20 ppm colour

Superior print quality – excellent output on everything from letters and graphics to full colour photos

Low cost of ownership – save money with high yield, attractively priced consumables

Easy to set up – network enable by default, free network management tools included

User friendly – easy to operate and maintain, with a large back-lit LCD for clear instructions

Keep office noise to a minimum – very quiet in use, silent when not printing

Keeps on working – run out of colour toner during a job and the printer will continue printing in mono

Key benefits:

- Great value for money – the perfect, all-round business laser
- Superior quality at high speed – great results at up to 25 ppm in black and white, 20 ppm in colour
- Easy to integrate into your IT environment – network interface, PCL and genuine Adobe[®] PS3 as standard
- Low cost of ownership - with high yield, attractively priced consumables
- Easy to use – simple to operate and maintain, and very reliable

Epson AcuLaser C2800 Series

Print features

Printing technology	Laser
Resolution	Epson AcuLaser Color 4800 RIT* *Epson AcuLaser Resolution Improvement Technology
Print speed	Mono 25 ppm, Colour 20 ppm (A4)
First page out	15 seconds (A4)
Warm up time	30 seconds or less: from turning the power on, to ready-to-print status (at 22°C, 55% RH, rated voltage, standard memory)
Maximum monthly volume	60,000 pages

Controller specifications

Processor	400MHz
Memory	Standard 128MB / max 640MB with EPSON MITech
Printer control	
Language emulations	Standard: ESC/Page-Color, PCL5c, PCL6, Adobe® PostScript3, PDF1.3, ESCP2, FX, I239X Scalable: 84 ESC/Page, 95 PCL5c, 80 PCL6, 17 PS3 Bitmap: 7 ESC/Page, 5 PCL5c, 1 PCL6 Typeface: 10 ESC/P2, 8 FX, 8 I239X
Resident typefaces	

Interfaces and connectivity

Interfaces	Ethernet 10/100 Base-TX, USB 2.0 High Speed
Network printing protocols	Print protocol: TCP/IP: LPR, FTP, IPP, PORT2501, PORT9100 Microsoft Network: Net BIOS over TCP/IP, Net BIOS over NetBEUI AppleTalk
Network management protocols	Management protocol: TCP/IP: SNMP, HTTP, TELNET, DHCP, BOOTP, APIPA, PING, DDNS, mDNS ^{*1} , SNTIP, SSDP, SLP (*1 mDNS is used with Bonjour) Microsoft Network: Auto-IP, SSDP MS Network (NetBEUI): SNMP AppleTalk: SNMP

Media handling

Standard paper input	400 sheets (150 Multi-Purpose tray + 250 sheet Paper Cassette)
Paper size	A4, A5, B5, LT, GLT, HLT, LGL, GLG, ISO-B5, EXE, C5, DL 76.2 - 220 mm x 98.4 - 355.6 mm 60 - 216 g/m ²
Paper weight	
Optional paper handling	1 extra 550 sheet Paper Cassette, Automatic Duplex Unit
Maximum paper input	950 sheets (150 MP tray + 250 sheet Paper Cassette + extra 550 sheet Paper Cassette)
Paper output standard/maximum	250 sheet (face down)
Power requirements	BAM Germany & International Energy Star compliant
Rated voltage/frequency/current	220V - 240V ±10% / 50Hz or 60Hz ± 3Hz / 4.0 A or less
Power consumption	Operating (220-240V): 730 W max (w/o Duplex) / 750 W max (w/Duplex), 347 Wh (B&W), 361 Wh (Colour) average - Standby: 78 Wh - Sleep: 17Wh

System requirement and OS support

System requirement	
Windows support	Microsoft Windows 2000 / XP / Server 2003 / Vista / XP x64 Edition / Server 2003 x64 Edition / Vista x64 Edition
Mac support	Mac OS 10.2.8/10.4.X, 10.4.X Intel-Mac
Linux support	For compatibility details relating to Linux, Unix, Novell, SAP, etc. please refer to http://www.business-solutions.epson.co.uk/Compatible.htm

Dimensions and weight

(W x D x H mm, Kg)*	Epson AcuLaser C2800N: 408 x 501 - 577 x 477 mm, 24.0 Kg Epson AcuLaser C2800DN: 408 x 501 - 577 x 477 mm, 25.1 Kg Epson AcuLaser C2800DN with 550 sheet Paper Cassette: 408 x 501 - 577 x 615 mm, 32.9 Kg
* Weight including toner	

Environmental conditions

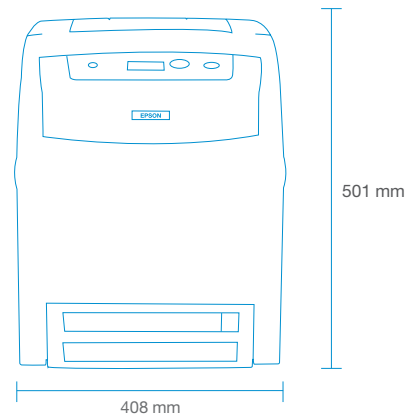
Temperature	Operation: 10 to 32°C / Storage: 0 to 35°C
Humidity	Operation: 15 to 85% RH / Storage: 15 to 80% RH
Sound Power	Operating: 6.3 B; Standby: 4 B
Sound Pressure	Operating: 51 dB(A); Standby: 30 dB(A)

Safety and regulations

Safety standards	Low Voltage Directive 2006/95/EC EN60950-1
Electrical standards	
EMC/EMI	EMC Directive 2004/108/EC, EN 55022 Class B, EN 55024, EN 61000-3-2; EN 61000-3-3

Warranty

	1 year on-site Optional Epson CoverPlus 3 year extended Warranty On-site ECPGRP50
--	--



Model configurations

- C11CA09001BY - Epson AcuLaser C2800N main model
- C11CA09031BX - Epson AcuLaser C2800DN main model + Duplex unit
- C11CA09031BW - Epson AcuLaser C2800DTN main model + Duplex unit + 550 sheet paper cassette

Supplies

Standard capacity toner cartridges

- C13S051165 - Black 3,000 pages*¹
- C13S051164 - Cyan 2,000 pages*¹
- C13S051163 - Magenta 2,000 pages*¹
- C13S051162 - Yellow 2,000 pages*¹

High capacity toner cartridges

- C13S051161 - Black 8,000 pages*¹
- C13S051160 - Cyan 6,000 pages*¹
- C13S051159 - Magenta 6,000 pages*¹
- C13S051158 - Yellow 6,000 pages*¹



Maintenance kit

- C13S053024 - Transfer Belt Unit 100,000 pages*¹
- C13S053025 - Fuser Unit 100,000 pages*¹

Options

- C12C802291 - 550-Sheet Universal Paper Cassette Unit
- C11C802301 - Duplex Unit
- 7012051 - 128MB additional Memory
- 7012079 - 256MB additional Memory
- 7012080 - 512MB additional Memory

*¹ Figures are approximate and are based on the number of A4 sheets printed at 5% coverage under conditions of continuous printing. Intermittent use may reduce page yield.



Telephone: 08702 416900 (UK)
1 800 409132 (Republic of Ireland)
E-mail: info@epson.co.uk

www.epson.co.uk
www.epson.ie
Fax: +44 (0) 8702 413093

EPSON® is a registered trademark of Seiko EPSON® Corporation. All other product names and other company names used herein are for identification purposes only and may be trademarks or registered trademarks of their respective owners. Errors and omissions excepted, all specifications are subject to change without notice.

EPSON®